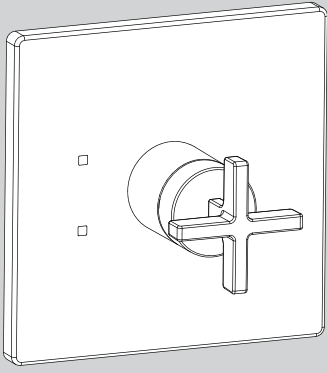
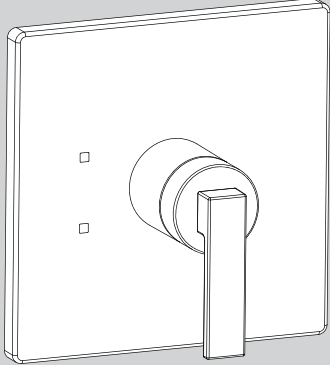


INSTRUCTIONS FOR MODELS

CPT-25001/CDCPT25001



CPT-25003/CDCPT25003



NEED HELP?

For additional assistance or service please contact:

SPEAKMAN® Company
400 Anchor Mill Road
New Castle, DE 19720

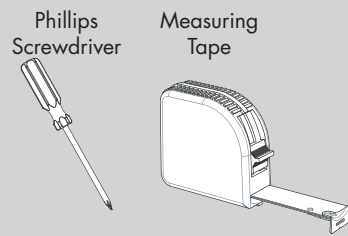
800-537-2107

customerservice@speakman.com

www.speakman.com

92-CPT-25000-02

TOOLS AND SUPPLIES



IMPORTANT

- Do not over-tighten any connections or damage may occur.
- Be sure to read instructions thoroughly before beginning installation.

SAFETY TIPS

Cover your drain to prevent loss of parts.

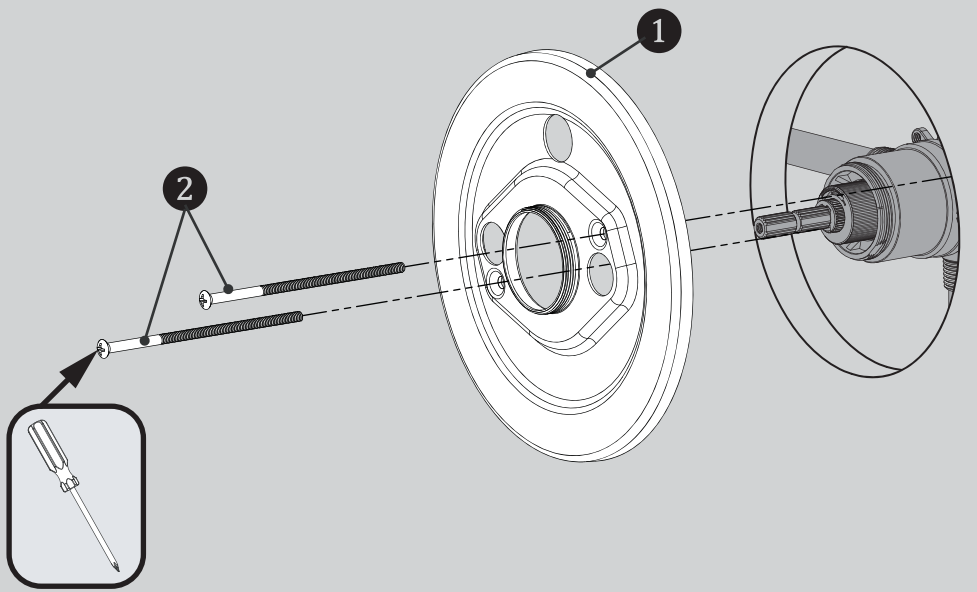
MAINTENANCE

Your new Speakman Product is designed for years of trouble-free performance. Keep it looking new by cleaning it periodically with a soft cloth. The use of harsh chemicals and abrasives on any of the Speakman custom finish products may damage the finish and void the product warranty. Please be sure to only use approved cleaners. Please contact Speakman for any clarification of acceptable cleaners.

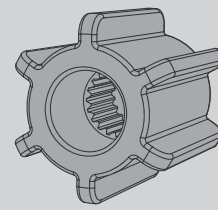
WARRANTY

Warranty information can be found at:
www.speakman.com

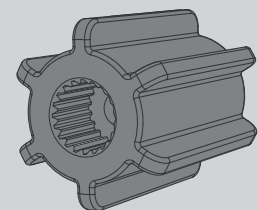
1 Clean wall surface. Place Mounting Base (1) onto the valve, align mounting holes, and secure with supplied screws (2).



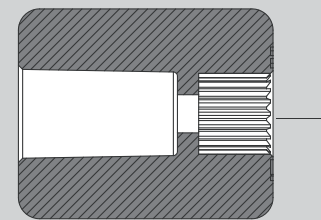
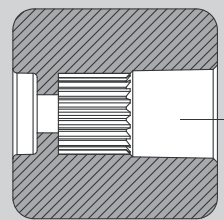
2 There are two connectors included to allow for both Shallow Mount or Deep Mount applications from finished wall surface. Please select Connector appropriate for your installation.



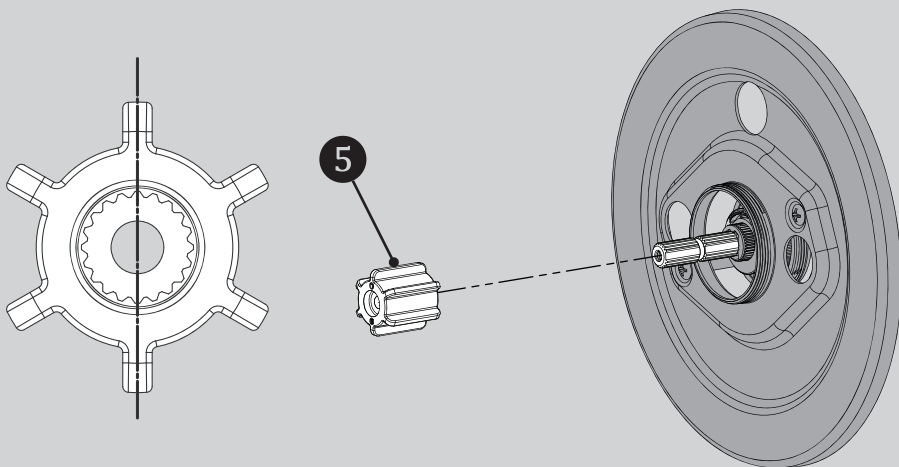
For Shallow Mount Application



For Deep Mount Application

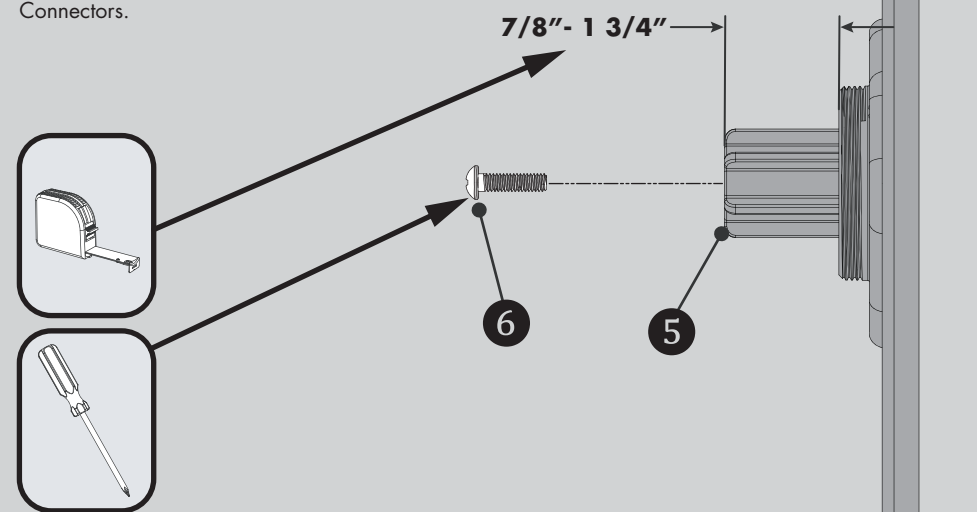


3 Confirm that the valve is in the "OFF" position. Place appropriate Connector (5) onto spindle of valve making sure to orient the Connector so that one set of splines are perfectly vertical as shown below.

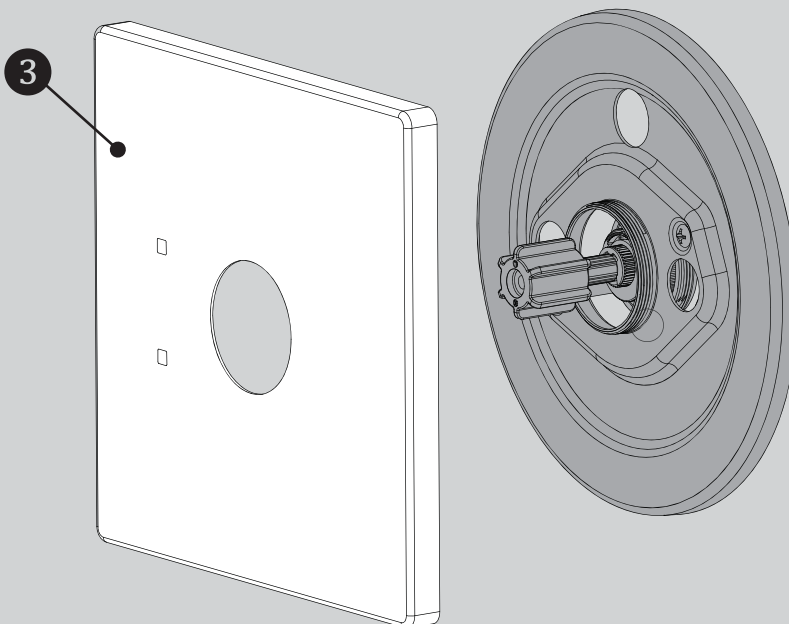


4 **IMPORTANT**

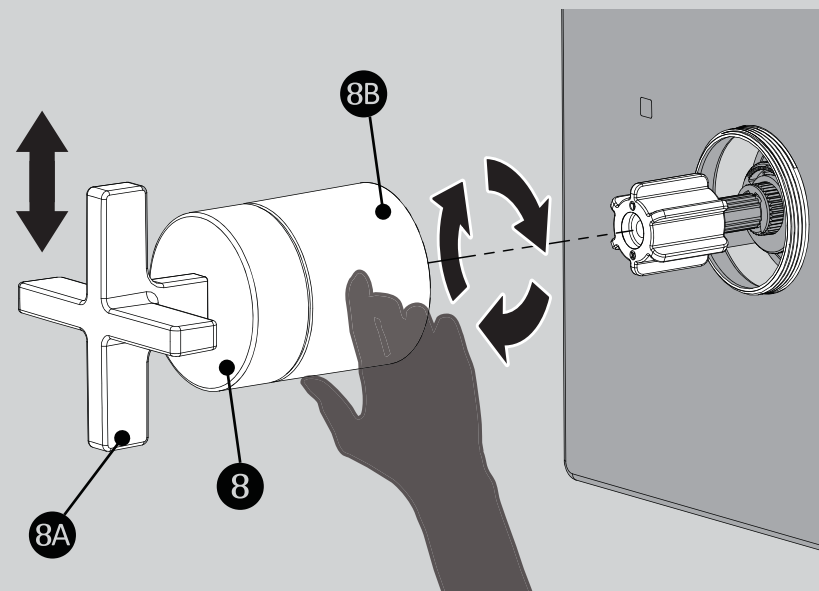
When installed correctly, the Connector (5), should extend beyond the Mounting Base in-between 7/8" - 1 3/4". Secure with screw (6). If your installation does not fall within this range, try swapping Connectors.

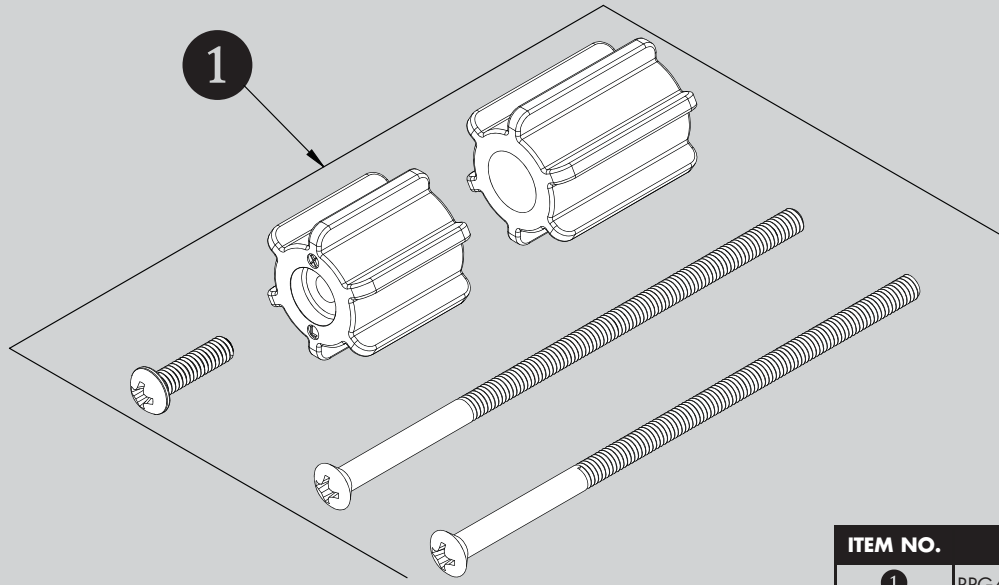


5 Place Wall Plate (3) onto Mounting Base.



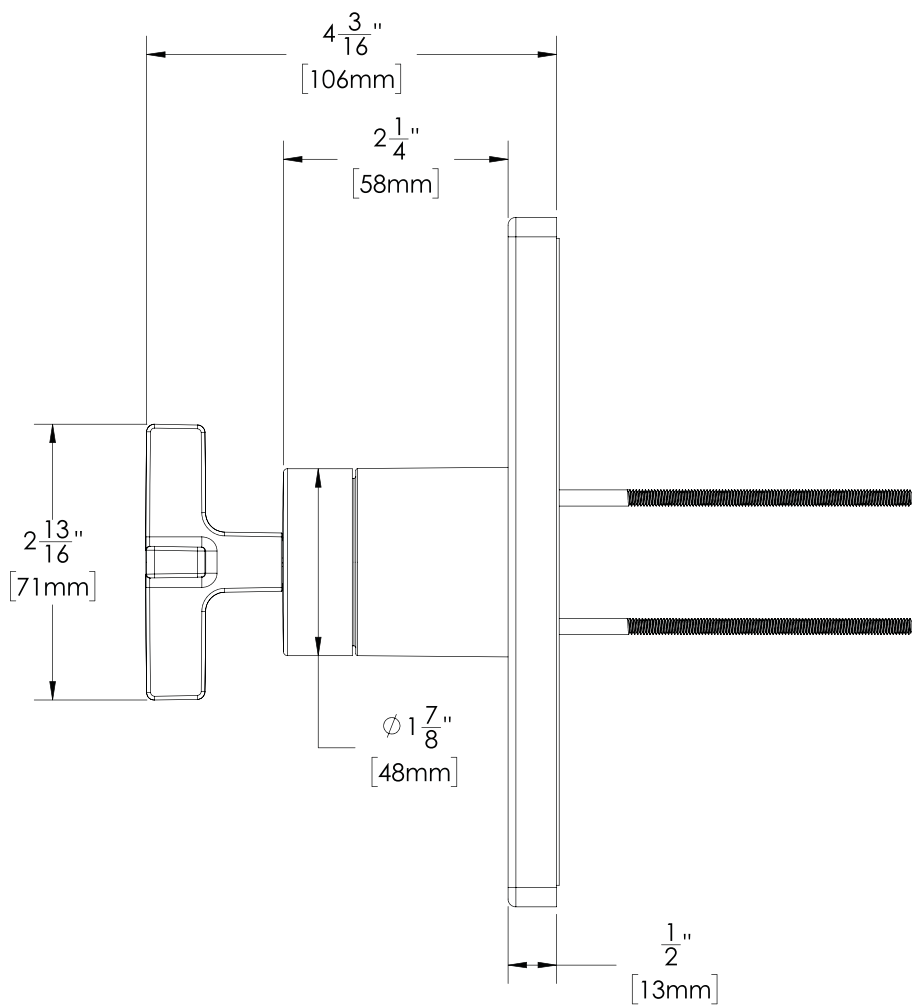
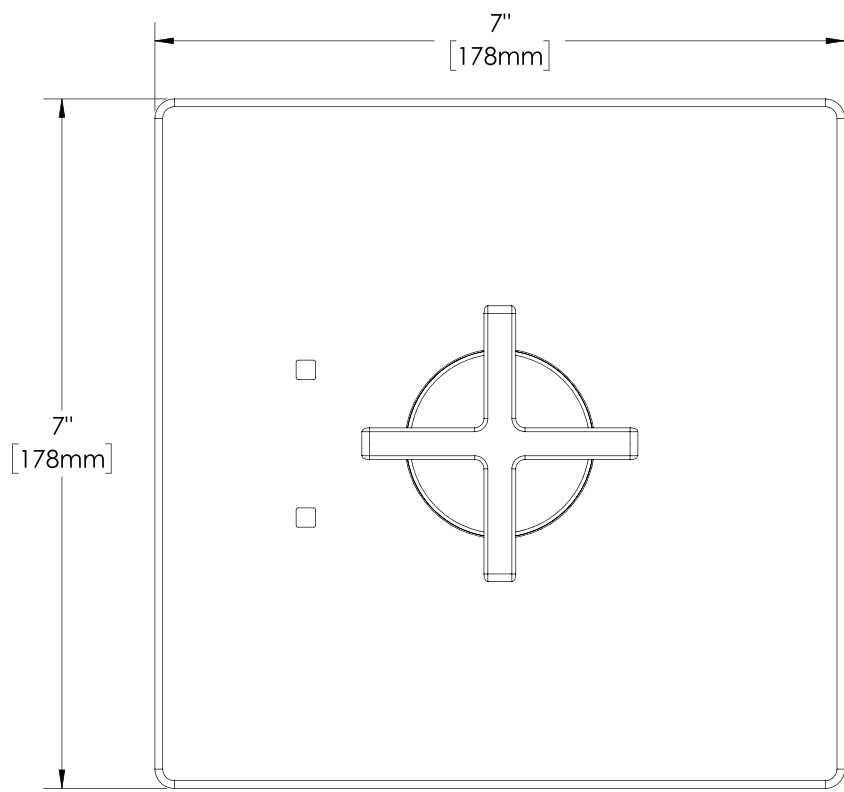
6 Align Handle Assembly (8) with Connector and Escutcheon. Keep Handle (8A) in a stationary vertical position as you thread Handle Hub (8B) onto the Mounting Base. Handle shown for reference only.





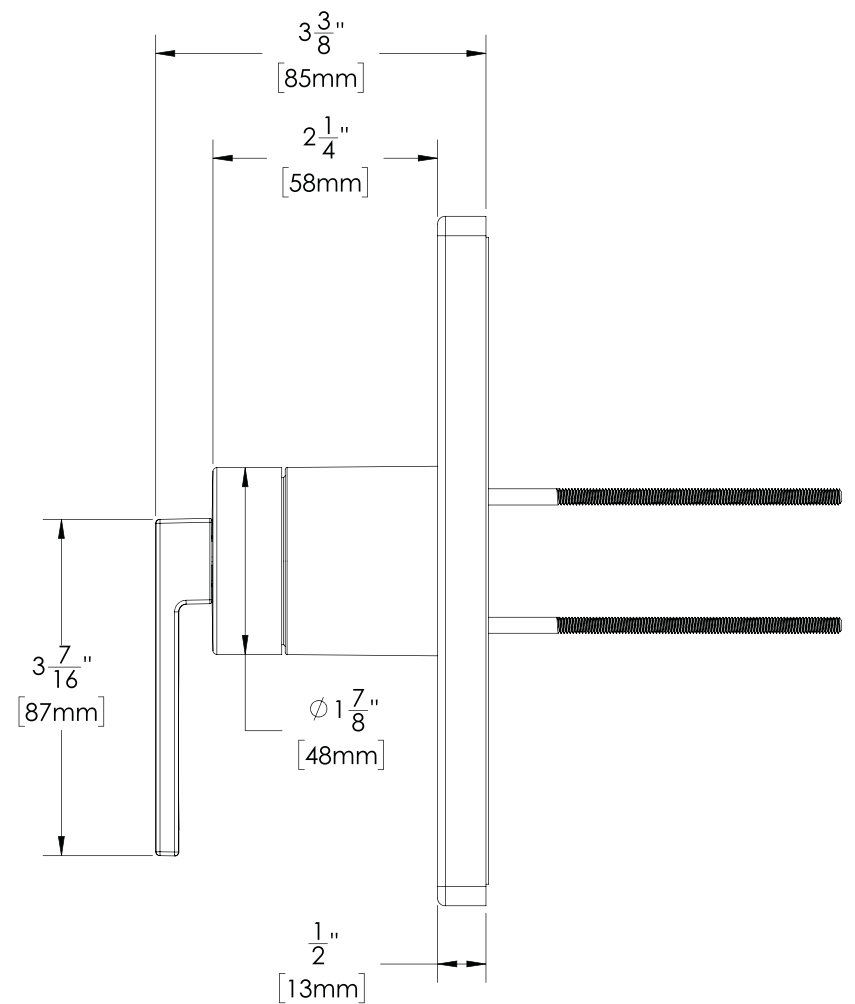
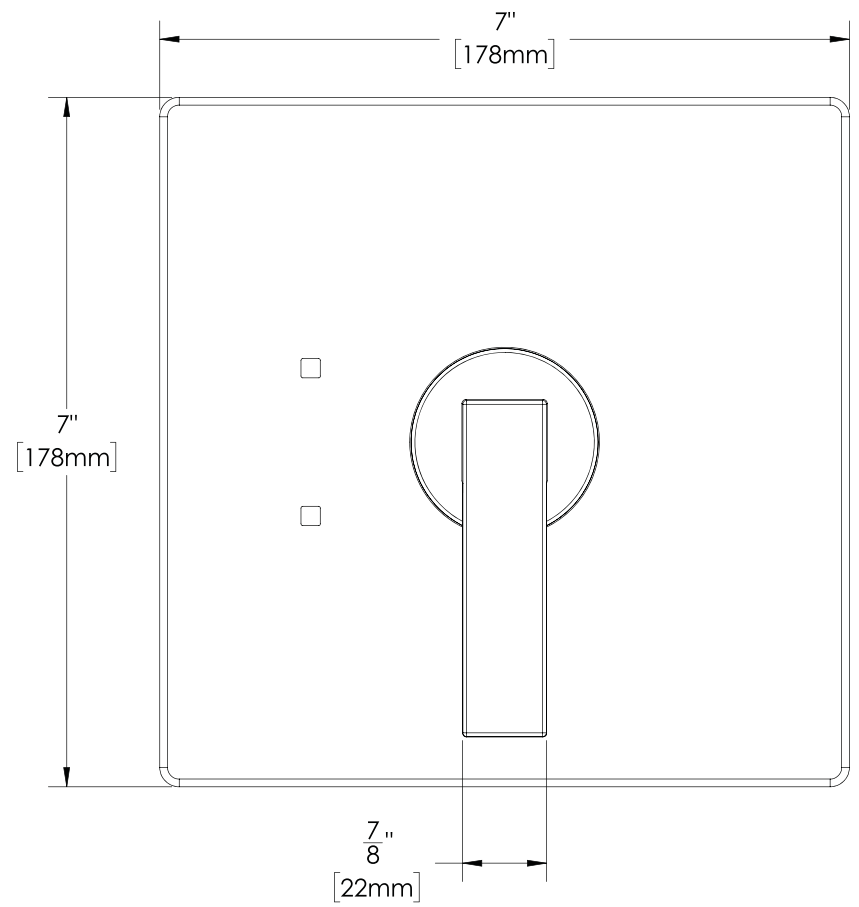
ITEM NO.	PART NO.	DESCRIPTION
1	RPG48-108295	MOUNTING HARDWARE

CPT-25001/CDCPT25001 ROUGH-IN DIAGRAM SPEAKMAN®



DIMENSIONS SUBJECT TO CHANGE WITHOUT NOTICE.

CPT-25003/CDCPT25003 ROUGH-IN DIAGRAM SPEAKMAN®



DIMENSIONS SUBJECT TO CHANGE WITHOUT NOTICE.